

## Tracoe Vario – REF 455

Tracheostomy tube spiral-reinforced, with adjustable neck flange, scale and 15 mm connector

### Product Description

Tracoe Vario is a soft, flexible tube with an adjustable neck flange. By means of a practical push-button mechanism, the flange can be moved and individually adjusted for each patient. In this way, the correct length can be achieved. A scale ensures the exact positioning of the neck flange in preparation for a tube change. The flange is then locked in place by moving the orange lever upward. Locking with a twist lock is no longer necessary. Tracoe Vario tubes are made of DEHP-free, medical grade PVC and are available with and without spiral-reinforcement. The assortment includes both standard and extra-long versions.



### Scope of Supply

- Obturator
- Adjustable neck strap
- Product info card with two detachable labels

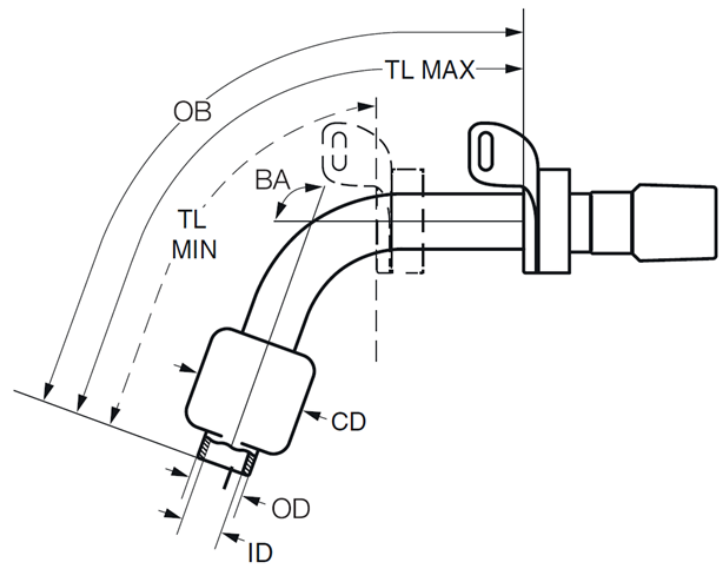
General Information		Material Specifications	
Product line	Vario	Material Outer cannula	Polyvinylchloride
Legal manufacturer	Tracoe Medical GmbH Reichelsheimer Str. 1/3 55268 Nieder-Olm, Germany	Material Neck Flange	Polysulfone/ TPE
Country of origin	Germany	Material Cuff	n/a
Colour Coding		Biocompatibility	EN ISO 10993-1
Handling			
Shelf life	5 years, from date of production	Storage	
Maximum Useful Life	29 days, from first use		
Packaging		Certification	
Packaging unit	1 piece	Product classification acc. MDR	IIb
Weight	See Table	CE Marking	
Dimensions (W x H x L)	210 x 113 x 50 mm	GMDN	47657
Material outer packaging:	Cardboard box	Quality system certified to	EN ISO 13485
Material sterile packaging:	Sterile bag with medical paper and transparent heatsealable PET/PP foil	FDA registration	Clearance Number K203362

## Product Range

Size	Order Number	ID	OD	TL (TL Min-TL Max)	OB	BA	CD	Gross weight	Global Trade Item Number
		mm	mm	mm	mm	°	mm	g	
06	REF 455-06	6.0	8.2	59.5 – 71.5	76	100	-	189	04035324012343
07	REF 455-07	7.0	9.7	64.5 – 79.5	86	100	-	190	04035324012350
08	REF 455-08	8.0	11.2	71.5 – 91.5	97	100	-	195	04035324012367
09	REF 455-09	9.0	12.3	76.0 – 103.0	106	100	-	198	04035324012374
10	REF 455-10	10.0	23.7	75.0 – 110.0	120	100	-	201	04035324012381
11	REF 455-11	11.0	14.8	77.0 – 112.0	121	100	-	203	04035324012398

## Legend

ID	Inner diameter at bottom of cannula
OD	Outer diameter at bottom of cannula
TL MIN	Minimum length along centre line
TL MAX	Maximum length along centre line
OB	Length along outer bend
BA	Bending angle
CD	Cuff diameter



Tracoe Medical GmbH  
 Reichelsheimer Str. 1 / 3  
 55268 Nieder-Olm  
 Germany



Breathing-Speaking-Living

Atos Medical AB  
 Hyllie Boulevard 17  
 215 32 Malmö  
 Sweden  
[www.atosmedical.com](http://www.atosmedical.com)