

Tracoe Twist – REF 302-P

Tracheostomy tube with minimally traumatic inserter, low pressure cuff and fenestration

Product Description

The Tracoe Twist tracheostomy tubes are used as ventilation and therapy tubes with inner cannulas in hospitals, rehabilitation, and community settings. A special feature is the curved neck flange that moves in both the vertical and horizontal axes, following the movements of the patient's head. The thin tube walls of inner and outer cannulas allow for a good inside - outside diameter ratio. Tracoe Twist and Twist Plus tracheostomy tubes are made of polyurethane (PU). The low-pressure cuff is made of medical grade PVC.



Scope of Supply

- Inner cannula, fenestrated, with 15 mm connector
- 2 inner cannulas with 15 mm connector
- Occlusion cap
- Reinsertion tube
- Lubricating gel
- Perforated obturator
- Neck strap

General Information

Product line	Twist
Legal manufacturer	Tracoe Medical GmbH Reichelsheimer Str. 1/3 55268 Nieder-Olm, Germany
Country of origin	Germany
Colour Coding	REF 302-P
Handling	
Shelf life	5 years, from date of production
Maximum Useful Life	29 days, from first use
Maximum Useful Life Insertion System	single-use disposable product

Packaging

Packaging unit	1 unit
Weight	See Table
Dimensions (W x H x L)	271 x 47 x 113
Material outer packaging:	Cardboard box
Material sterile packaging:	Sterile bag with medical paper and transparent heatsealable PET/PP foil

Material Specifications

Material Outer cannula	Polyurethane
Material Neck Flange	Polycarbonate
Material Cuff	Polyvinylchloride
Biocompatibility	EN ISO 10993-1



Storage



Certification

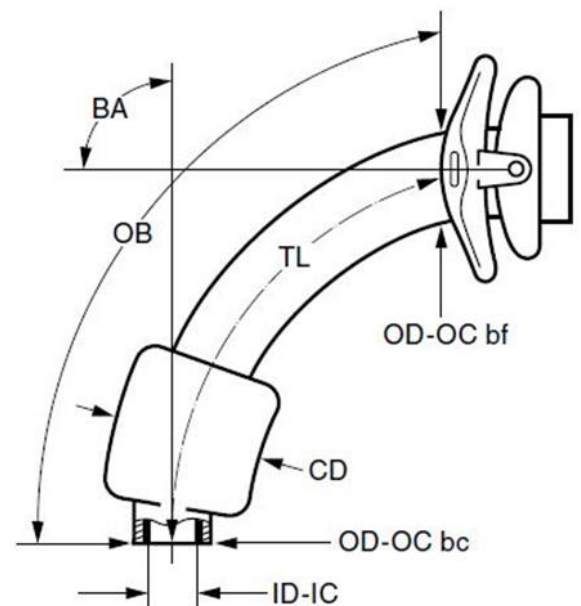
Product classification acc. MDR	IIb
CE Marking	
GMDN	35404
Quality system certified to	EN ISO 13485
FDA registration	n. A.

Product Range

Size	Order Number	ID-IC	OD-OC bc	OD-OC bf	TL	OB	BA	CD	Gross Weight	Global Trade Item Number
		mm	mm	mm	mm	mm	°	mm	g	
07	REF 302-07-P	7,0	10,4	12,0	74,0	80,5	95	26,0	232	4035324015184
08	REF 302-08-P	8,0	11,4	12,7	76,0	83,0	90	28,0	235	4035324015191
09	REF 302-09-P	9,0	12,5	14,2	78,0	88,5	90	30,0	237	4035324015207

Legend

- ID-IC** Inside diameter at bottom of inner cannula
- OD-OC bc** Outside diameter at bottom of outer cannula
- OD-OC bf** Outside diameter of outer cannula behind the flange
- TL** Length along centre line from start of neck flange to bottom of tube
- OB** Length along outer bend from start of neck flange to bottom of tube
- BA** Bending angle
- CD** Cuff diameter



Tracoe Medical GmbH
 Reichelsheimer Str. 1 / 3
 55268 Nieder-Olm
 Germany

Atos Medical AB
 Hyllie Boulevard 17
 215 32 Malmö
 Sweden
www.atosmedical.com