

Tracoe Twist Plus Extract – REF 888-316-P

Tracheostomy tube with minimally traumatic insertion system, low pressure cuff, subglottic suction channel and double fenestration at inner and outer bend

Product Description

The Tracoe Twist Plus tracheostomy tubes are used as ventilation and therapy tubes with inner cannulas in hospitals, rehabilitation, and community settings. A special feature is the curved neck flange that moves in both the vertical and horizontal axes, following the movements of the patient's head. The thin tube walls of inner and outer cannulas allow for a good inside - outside diameter ratio. Tracoe Twist and Twist Plus tracheostomy tubes are made of polyurethane (PU). The low-pressure cuff is made of medical grade PVC.



Scope of Supply

- 2 inner cannulas with 15 mm connector
- Inner cannula, double fenestrated with 15 mm connector
- 2 connectors for suction devices
- Occlusion cap
- Lubricating gel
- Perforated obturator
- Neck strap

General Information

Product line	Twist Plus Extract Tracoe Medical GmbH Reichelsheimer Str. 1/3 55268 Nieder-Olm, Germany
Legal manufacturer	
Country of origin	Germany
Colour Coding	REF 888-316-P ++
Handling	
Shelf life	5 years, from date of production
Maximum Useful Life	29 days, from first use
Maximum Useful Life Insertion System	single-use disposable product

Packaging

Packaging unit	1 unit
Weight	See Table
Dimensions (W x H x L)	271 x 47 x 113
Material outer packaging:	Cardboard box
Material sterile packaging:	Sterile bag with medical paper and transparent heatsealable PET/PP foil

Material Specifications

Material Outer cannula	Polyurethane
Material Neck Flange	Polycarbonate
Material Cuff	Polyvinylchloride
Biocompatibility	EN ISO 10993-1



Storage



Certification

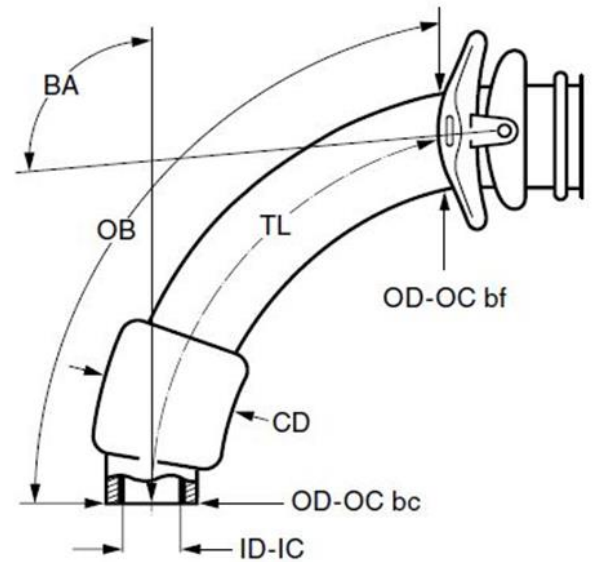
Product classification acc. MDR	IIb
CE Marking	
GMDN	35404
Quality system certified to	EN ISO 13485
FDA registration	n. A.

Product Range

Size	Order Number	ID-IC	OD-OC bc	OD-OC bf	TL	OB	BA	CD	Gross Weight	Global Trade Item Number
		mm	mm	mm	mm	mm	°	mm	g	
07	REF 888-316-07-P	7,0	9,8	10,1	85	91	100	26	161	4035324019168
08	REF 888-316-08-P	8,0	10,8	11,1	88	95	100	28	165	4035324019175
09	REF 888-316-09-P	9,0	11,8	12,1	90	99	100	30	168	4035324019182
10	REF 888-316-10-P	10,0	12,8	13,1	92	102	100	32	170	4035324019199

Legend

- ID-IC** Inside diameter at bottom of inner cannula
- OD-OC bc** Outside diameter at bottom of outer cannula
- OD-OC bf** Outside diameter of outer cannula behind the flange
- TL** Length along centre line from start of neck flange to bottom of tube
- OB** Length along outer bend from start of neck flange to bottom of tube
- BA** Bending angle
- CD** Cuff diameter



Tracoe Medical GmbH
 Reichelsheimer Str. 1 / 3
 55268 Nieder-Olm
 Germany

Atos Medical AB
 Hyllie Boulevard 17
 215 32 Malmö
 Sweden
www.atosmedical.com